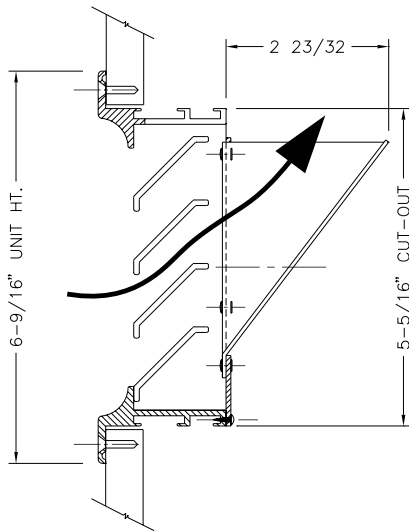


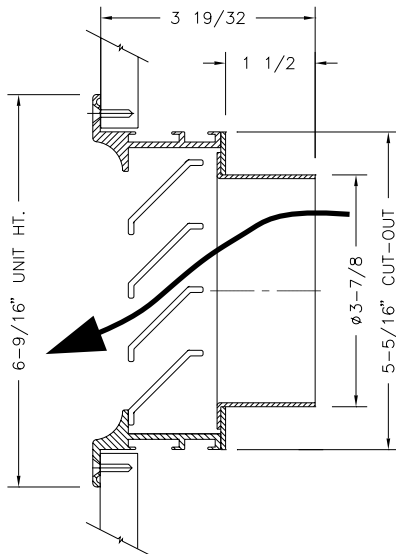
Design Information

Available Configurations:

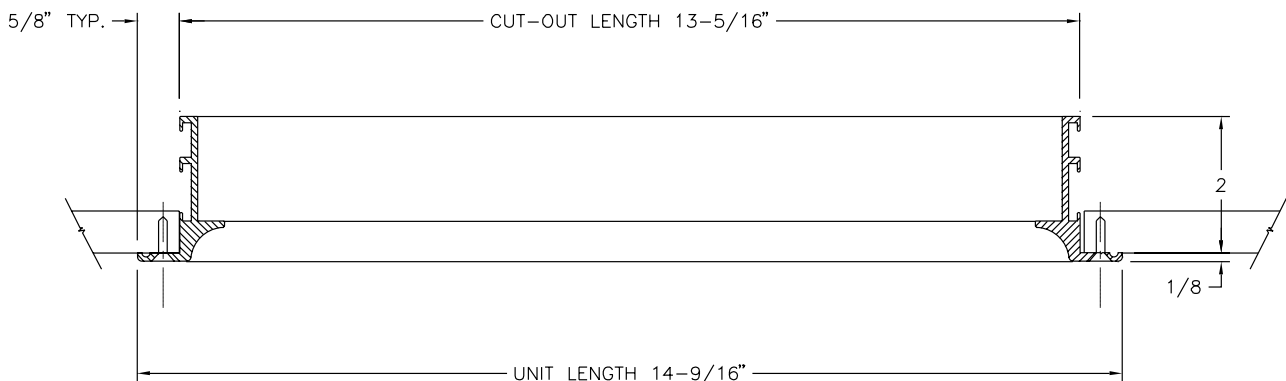
*Details Available upon request



INTAKE VENT SHOWN



EXHAUST VENT SHOWN



Application

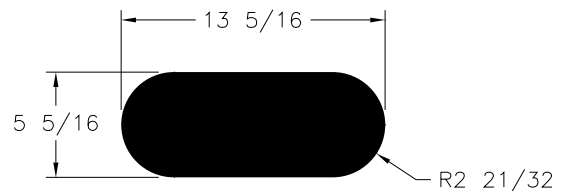
Our welded aluminum vents can be used for both engine air intake or exhaust venting. The universal grill will accept either intake cover or exhaust plenum.

Fabrication

The aluminum vent frame extrusion is welded for structural strength with all non-ferrous fasteners used in the final assembly. Custom sizes and shapes will be fabricated to your specifications. The designed weep holes allow for your water management, and frame flanges for ease of installation.

Finish

Marine grade polyester powder coatings in various standard and custom colors are available.



REQUIRED CUT-OUT SIZE