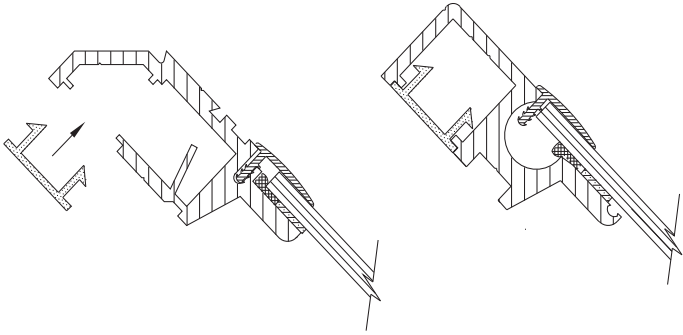
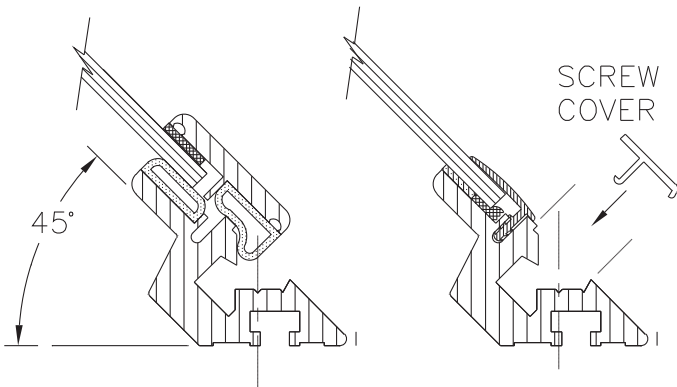


Design Information

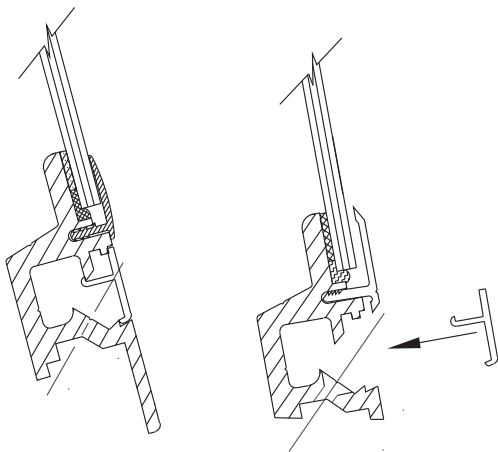
Available Configurations: 1400-C



Header Options



Sill Options



Application

Series 1400-C windows are used generally as windshield and fly-bridge enclosure units and are appropriate for most motor yacht, sport cruisers, and houseboats.

Fabrication

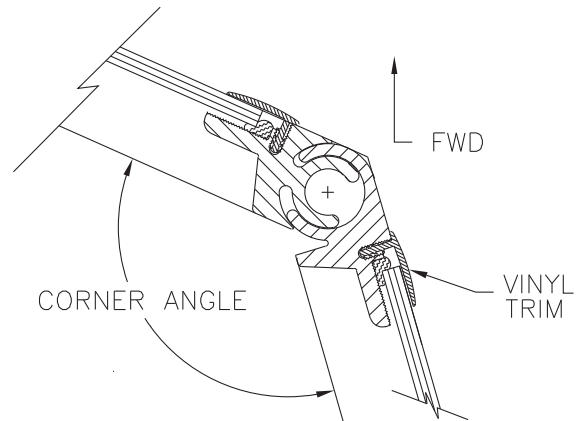
The master frame of aluminum extrusion is also welded for structural strength. The frame assembly allows for glazing of standard 3/16" tempered glass with various methods available for ease of installation.

Hardware

Marine quality weathertight seals and trims are always standard.

Finish

Marine grade urethanes and polyester powder coatings in various standard and custom colors are available.



Inter-locking Joints

